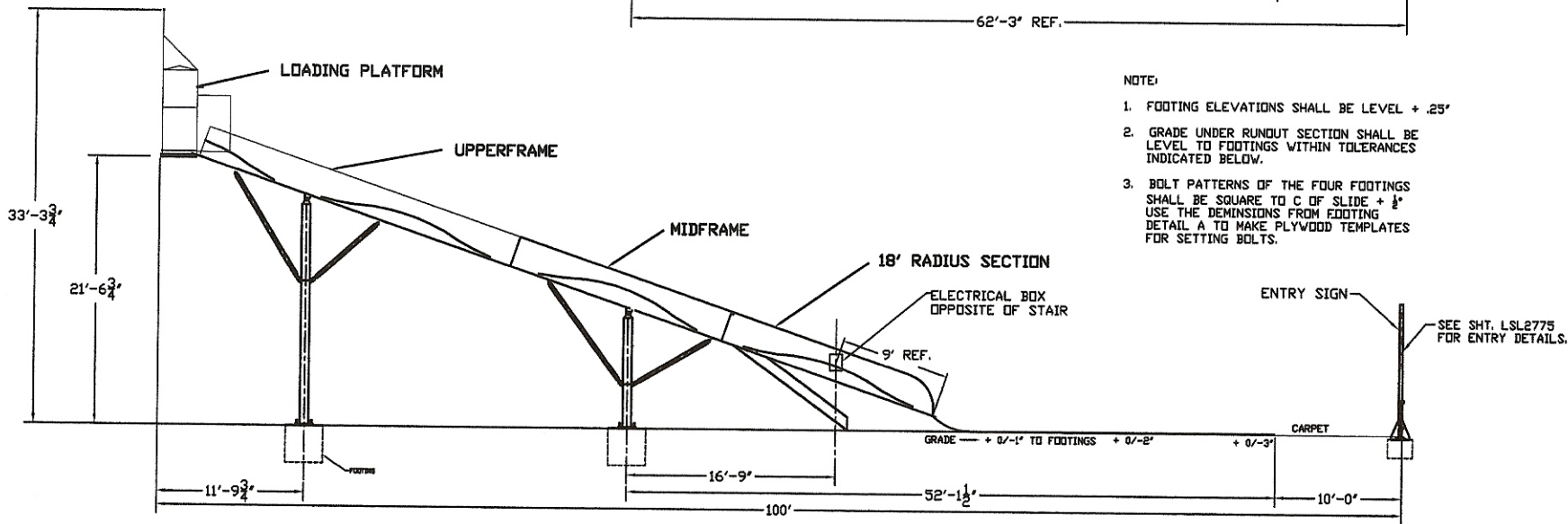
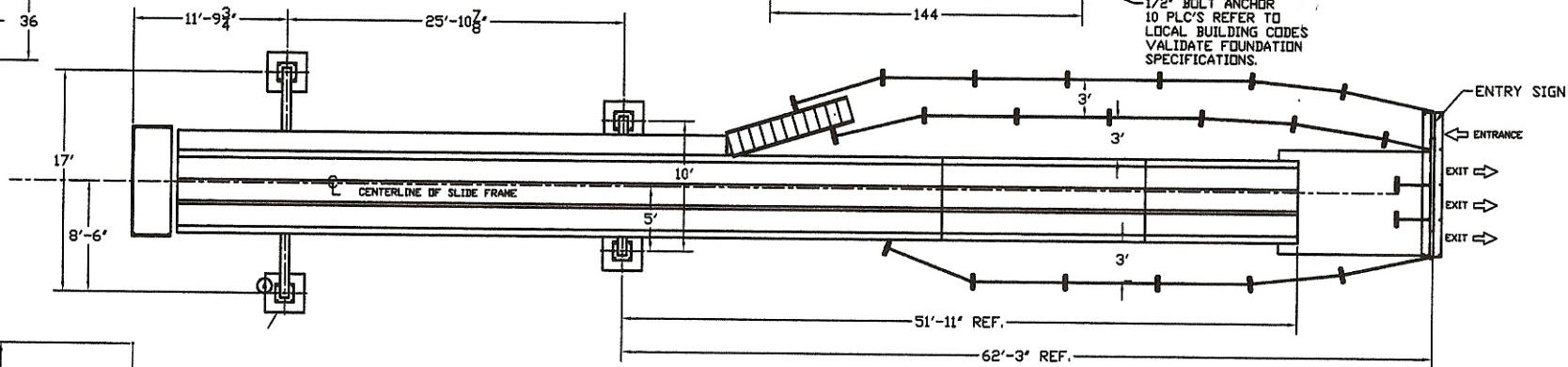
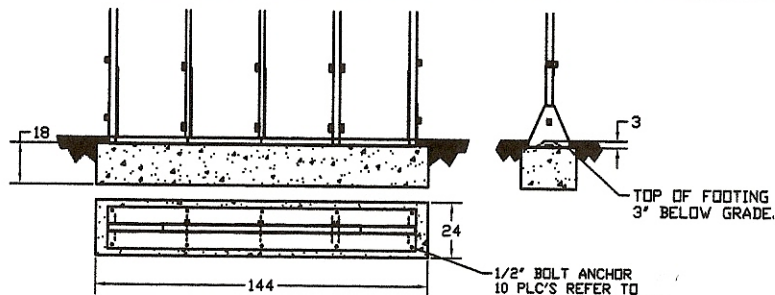


A TYP. FOOTING DETAIL  
4 PLCS



NOTE:

1. FOOTING ELEVATIONS SHALL BE LEVEL + .25"
2. GRADE UNDER RUNDOUT SECTION SHALL BE LEVEL TO FOOTINGS WITHIN TOLERANCES INDICATED BELOW.
3. BOLT PATTERNS OF THE FOUR FOOTINGS SHALL BE SQUARE TO C OF SLIDE + 1/4" USE THE DIMENSIONS FROM FOOTING DETAIL A TO MAKE PLYWOOD TEMPLATES FOR SETTING BOLTS.

REV.	DESCRIPTION	INITIAL	DATE
A	INITIAL DOCUMENT	BM	10-28-97
B			
C			

DARTRON IND., INC.	DESIGNED UNDER REVIEW	LAND SLIDE	DATE	SCALE	DRAWN BY
174 30th ST. S.W.	REVISIONS	FOUNDATION & SPACE DIAGRAM	10-28-97	1/1	BM
SALEM, OR 97309	NO. & DT.				
REV. BY	DATE	BY	DATE	BY	DATE